

Patriot Sprint Tour

Rules, Policies, & Definitions

Table of Contents

(Revised June 20, 2020)

General Information, Points & Procedures	Page 2 - 5
Membership & Insurance Info	Page 2
Race Procedures & Qualifying	Page 3 - 4
Flag Procedures	Page 5
Technical Specifications	Page 6 - 10
Engine & Head Specifications	Page 6
Chassis & Wing Specifications	Page 7 - 9
Miscellaneous Car Specifications' & Fuel	Page 9 - 10
Tires & Wheels	Page 10
Safety , Protests & Conduct	Page 11

A: SECTION I GENERAL INFORMATION

Applicable for Patriot Sprint Tour Races, Officials may make alterations when necessary. These adjustments will be the final say on all matters and determinations.

1. **Introduction:** This booklet contains the official rules and car specifications for all sanctioned events of the Patriot Sprint Tour. Any point not covered herein shall be resolved by the Patriot Sprint Tour Management (PST) or their appointed rep.
2. **Procedural:** All cars MUST display the official decals of major PST Sponsors included but not limited too: PST, Hoosier, A-Verdi, Prestige Pool & Spa, Bonnell's, MEM Brodix, or any other designated sponsors to be eligible for contingency and point fund. Drivers must be a PST Member, attend 75% of tour events and be in good standing of PST and be present at PST annual awards banquet in order to qualify for point fund money. Cars must display decals on outside of both of the side panels of wings. Decals shall be provided free of charge by PST.
3. **Membership:** All drivers participating in a PST sanctioned event must purchase a license from PST in order to compete. A single-race license is \$50 which has no insurance coverage provided. A full-season license is \$150 per year for drivers or \$100.00 for crew members, car owners or associates and includes an insurance policy which will be issued to each paid member. This policy carries \$10,000 accidental death & dismemberment and \$100,000 medical accident (with \$10,000 deductible or any available track insurance, whichever is higher, see policy for details). A non-insurance license is available for crew members, car owners, or associates for \$50. All PST licensed member will be charged a maximum \$30 for pit passes at Tour shows (unless otherwise stated).
4. **Exceptions:** There will be special event shows during the year that do not follow these formats. You will be informed of specific procedures. All racing programs are subject to change. Any such changes will be covered at the drivers meeting.
5. **Rookie Status:** Rookie status will be approved only by PST management. Any driver intending to run for Rookie honors must inform PST management or their intent to do so. The criteria for determining the Rookie of the Year will include but not be limited to; Drivers performance on and off the track, prior racing experience number of events they compete in, overall finishes and ranking in the final point standings. Drivers will not be considered for RoY if they have competed in more than 5 events in any previous year.
6. **Point Distribution:** PST points shall be awarded to only Full Member Drivers in accordance with the following schedule:

A FEATURE POINTS		
1. 150	9. 123	17. 108
2. 145	10. 120	18. 107
3. 141	11. 118	19. 106
4. 138	12. 116	20. 105
5. 135	13. 114	21. 104
6. 132	14. 112	22. 103
7. 129	15. 110	23. 102
8. 126	16. 109	24. 101

- 75 points will be awarded to all Full Member drivers that take a competitive green flag but fail to qualify for "A" feature.
- 50 points will be awarded to all Full Member drivers that make an effort to compete but fail to take a competitive green flag in Heat or Feature action.
- Certain challenge events will be run using "Patriot Points", rewarding points only to Full member drivers that are declared as *PST Representatives*. These events will count only those declared drivers and distribute points using the "A Feature Points".
- Certain challenge events will be run for "Show-Up Points". 50 points will be awarded to any driver that takes a green flag at any point in that event.
- *All races will run as PST officials feel is to the best interest of the race program.*

7. **Buy-In Provisional's:** A maximum of two (2) provisional's are available in each feature event. The top two drivers in points willing to pay the difference between DNQ money and last place money will be the final two starters in the A-Main, provided they are in the top 12 of current point standings (the first two races of the year will use prior year's final standings). Points will be awarded according to finishing position. A driver may only use two (2) provisional's per season (excluding show-up or non-point races).

B: Qualifying

1. **Heats:** Qualifying heat races will be held at all events.
2. **Draw:** The car count at the close of the drawing for qualifying heats will determine the number of heats to be run. As each number is drawn for a car, that number will be posted and this procedure will be repeated until a number has been drawn for each car that wishes to compete. The lowest number goes to the pole of the first heat race, the next lowest drawn number goes to the pole of the second heat, etc. Once pole position in each heat is filled, the next lowest number goes to the outside front row of the first heat, etc. If there are an uneven number of cars to equally distribute between heats, the last cars will be placed at the back of the lowest numbered heats. Any cars not represented at the drawing shall be placed at the rear of a heat race. Heat races will determine the starting position for the balance of races scheduled.
3. **Heats Required:** A pre-set number of cars will qualify from each heat races. Those number are as follows:

<u>Cars Entered</u>	<u>Heats</u>	<u>Qualifiers From Each Heat</u>
11-17	2	All
18-24	3	All
25-30	3	6
31-40	4	5
41-50	5	4
51-60	6	3

		Start											
		1	2	3	4	5	6	7	8	9	10	11	12
Finish	1	100.0	105.0	110.0	115.0	120.0	125.0	130.0	135.0	140.0	145.0	150.0	155.0
	2	91.5	93.0	98.0	103.0	108.0	113.0	118.0	123.0	128.0	133.0	138.0	143.0
	3	83.0	84.5	86.0	91.0	96.0	101.0	106.0	111.0	116.0	121.0	126.0	131.0
	4	74.5	76.0	77.5	79.0	84.0	89.0	94.0	99.0	104.0	109.0	114.0	119.0
	5	66.0	67.5	69.0	70.5	72.0	77.0	82.0	87.0	92.0	97.0	102.0	107.0
	6	57.5	59.0	60.5	62.0	63.5	65.0	70.0	75.0	80.0	85.0	90.0	95.0
	7	49.0	50.5	52.0	53.5	55.0	56.5	58.0	63.0	68.0	73.0	78.0	83.0
	8	40.5	42.0	43.5	45.0	46.5	48.0	49.5	51.0	56.0	61.0	66.0	71.0
	9	32.0	33.5	35.0	36.5	38.0	39.5	41.0	42.5	44.0	49.0	54.0	59.0
	10	23.5	25.0	26.5	28.0	29.5	31.0	32.5	34.0	35.5	37.0	42.0	47.0
	11	15.0	16.5	18.0	19.5	21.0	22.5	24.0	25.5	27.0	28.5	30.0	35.0
	12	6.5	8.0	9.5	11.0	12.5	14.0	15.5	17.0	18.5	20.0	21.5	23.0

4. **Passing Points:** Any driver failing to draw for heat races, starting in incorrect spot, or failing to pack racing surface (when requested) will not receive passing points, but only points accumulated through his finishing position in his heat race. In the event of a tie in passing points, the driver who first earned the points shall be aligned in front of any subsequent driver earning the same number of points. Passing points will be figured on the actual starting position on the final parade lap coming to the initial green flag.
5. **A-Main/Redraw:** The passing point system will be used to determine starting positions in feature events. The driver will receive points for passing as well as finishing position, with the eight drivers accumulating the most points from heat races redrawing for feature starting position (top point earner drawing first, second highest draws next, etc.). Additionally any driver who wins their heat race will be added to the redraw no matter the number of points awarded from the heat finish. Twenty-two (22) drivers will qualify for A-Main unless a total of 23 or 24 cars are signed in or 36 or more cars are entered. Two additional spots will be available for buy-in provisional's. Some events may have unique totals. Cars that qualify for the A-Main will use passing points and lock-in for qualification. In a 3 heat format 6 cars lock in, 4 heat 5 cars, 5 heats 4 cars, and 6 heats 3 cars. Passing points are used for Redraw, Dash and A-Main line up if coming out of the B-Main.

6. **Dash:** When possible, the "Four Laps of Fame" Dash will be run to scramble positions 9-14. Drivers 9th-14th in passing points will start straight-up in the four lap event, with the finishing position determining their A-Main starting spot. This race will pay all starters. Note: If a heat winner is added to the redraw the Dash will be run less the number of added cars to the redraw.
7. **B-Main:** B-Main(s) will be run to fill out the balance of the A-Main field. Race will be lined up based on passing points from 15th back and drivers that finish in transferring spots will use their passing points total to set their position for A-Main.
8. **Back-Up Cars:** A car and driver qualify as a team. Each driver can qualify only one car. No driver will be permitted to change cars after taking the green flag of his qualifying heat race.
9. **Scratched Starters:** The Official lineup is when the caution lights go out on the final parade lap. In the event a car drops out of the line-up for mechanical reasons, the balance of the field shall move straight forward. The exception being if 2 cars drop out from same row, and then the following cars will be crisscrossed.
10. **Green Flag:** The start will be official only upon the starter signaling with the green flag. In the event a pace car is used, all cars shall take their proper position behind it. In the event a pace car is not used, the pole car will set the pace which shall be consistent with track conditions and as required to keep the field in formation. *PST* shall be empowered to disqualify or penalize any driver violating this rule.
11. **Double-File Starts:** A pair of white lines or cones will be placed in the turn 4 area for all starts. All cars must remain in proper order until the lead car or cars reach this point. The front row must be side-by-side when they hit the first line/cone and the race will begin when the pole sitter (inside car) begins to accelerate. The Flag man will be instructed not to throw the green flag until then. The pole sitter must fire before the second line/cone. If in officials judgment the front row car or cars are out of position a yellow will be displayed, after the green the offender may placed a row back with car behind offender being brought to front row. Any other car not in proper position in officials judgment will be penalized a minimum of 2 positions per each position gained. This penalty will be imposed on the next yellow or red flag. If there is no flag after penalty then it will be enforced at end of race. If consecutive double-file starts are unsuccessful, the ensuing restart will be single-file.
12. **Single-File Starts:** On all single file starts the restart will take place between a pair of lines/cones in turn four. The leader must start race from turn 4 "box" between a pair of lines/cones and all cars must go outside of cone in the proper aligned order. Leader must set a consistent pace and continue accelerating once initially accelerating. Any car going inside of cone, hitting cone or beginning to pass a car prior to going outside of cone will cause yellow and be placed on rear. If no yellow appears, the offender will be penalized a minimum of two (2) positions plus one position for each position gained over on at the finish.
13. **Second Push:** Any car requiring a second push on start or restart of race will be placed at rear. (Safety Issues may negate this requirement)
14. **Delay:** Any car on or near the racing surface that delays the start or restart of any race shall be penalized one lap by officials.
14. **Alternate Starters:** If a driver that qualified through his heat race or B-Main is unable to start the A-Main, the A-Main Lineup will be filled with the first non-qualified driver. If a driver does not take the initial green flag in the A-Main, they will not be paid A-Main points or money. No "Bubble Cars" will be positioned in staging lane.
15. **Work Area:** A work area will be designated during the driver's meeting. This area may be used at any time, but courtesy time will only be granted in "A" or "B" Mains. Two (2) minutes will be granted to any lead-lap car from the time they hit the work area guaranteed once per event. If there are less than 10 laps remaining in the event, one minute fifteen (1:15) seconds will be granted. Cars using the work area in any main that are a lap down will not be given any guaranteed time. A car that is serviced anywhere outside of work area is not permitted to return to that event.
16. **Lapped Cars:** Cars one lap down will restart in designated position placed behind all lead lap cars. If a car one lap down declines this position, they must fall to the rear. Cars two or more laps down must restart at tail of field. Cars two laps down before half way or any car not running at a reasonable racing speed may be subject to black flag under caution period for safety reasons. Any car losing a lap in the pits is not permitted to return to that event.

C: Flag Procedures

1. **Yellow Flag:** All cars stopping on a yellow will be placed on the rear of restarting lineup. An area will be designated (usually the pit area) for any work to be done during a yellow/red flag. Cars remaining on racing surface that are able to restart without service will be placed on the rear, in the order they were running prior to yellow flag. Any car that goes one or more laps down while in the work area or pit area will be out for that event.

Any driver who works on his car or permits any other person (other than a track official) to work on his car on the racing surface, during a yellow flag, shall be penalized one lap.

If a car needs a second push off, after any cars have started, he will start at the rear of that race.

Any car that is involved in two unassisted yellow flags will be disqualified for that event.

2. **Red Flag:** Cars that the red flag was thrown for and any other cars that change any tire will be placed at the rear of restarting line-up. All others will get the position they were running in prior to flag, if ready to join restarting line-up when called provided they went to designated red flag work area. Drivers may not leave their cockpit unless granted permission by PST officials. Work may not be done until red flag is lifted.

It shall be the decision of the flag man and *PST* as to what cars flags were displayed for, and their decision is final.

All Restarting line-ups will be single-file after one lap with any lapped cars being placed in line-up. (Special Events may utilize a double file restart format)

A race is not considered complete until the checkered flag appears. If a yellow or red flag must be thrown after the checkered flag appears, the race is officially over and the payoff will be done in the same manner as a yellow or red flag realignment.

Technical Specifications:

D: Engine Rules

1. 360 Cubic Inches: plus 1% maximum displacement (360 plus 1% = 363.6).
2. No aluminum blocks. No Titanium in engines, with the exception of valves and valve retainers.
3. Injectors: 2 3/16 inch maximum inside diameter of injector stack - 2.187 at least 3 inches in length. Note: Larger injectors may be used, but sleeves a minimum of 3 inches in length must be installed in stacks above the Butterflies. No relief hole may be drilled above the Butterfly on any injector. No Alteration of injector manifold mounting holes will be allowed.

Due to manufacturing process some injector stacks may be slightly larger. There will be a tolerance of .005 allowed on no more than 3 stacks. No throttle body or plenum type injectors allowed, No down nozzle injectors.

No timed fuel injectors will be allowed. Electronic fuel injection shall not be allowed. Only one injector nozzle and one injector line per cylinder. Injection unit shall have one shaft operated butterfly per cylinder. The immediate area of the butterfly must be round. No slide or barrel type injectors will be allowed.

4. Spec Heads: Brodix heads part # 27-211, #27223, and #27-222 with ASCS stamp may not have any performance-enhancing alterations in any way. Intake opening no larger than original opening, the only exception being, inlet opening may be ground or polished 3/4 inches or no further into port than the closest edge of the closest letter of the ASCS logo. During this polishing the left side of the letter "A" is sometimes inadvertently brushed with polish wheel. This is permissible as long as letter is still intact. During polishing of inlet port sometimes polish marks may go slightly further than the 3/4 inch. Intake port at no time may exceed 215 cubic centimeters.

Intake port polishing will be allowed no more than 1 1/2 inches below the bottom of the original seat ring on the back side of the bowl area and no more than 1 inch on the short side. Polishing will be allowed in the combustion chamber area to avoid hot spot chaffing. Polishing will be allowed in exhaust ports as long as the original "ASCS" logo is not affected or port shape is not altered substantially.

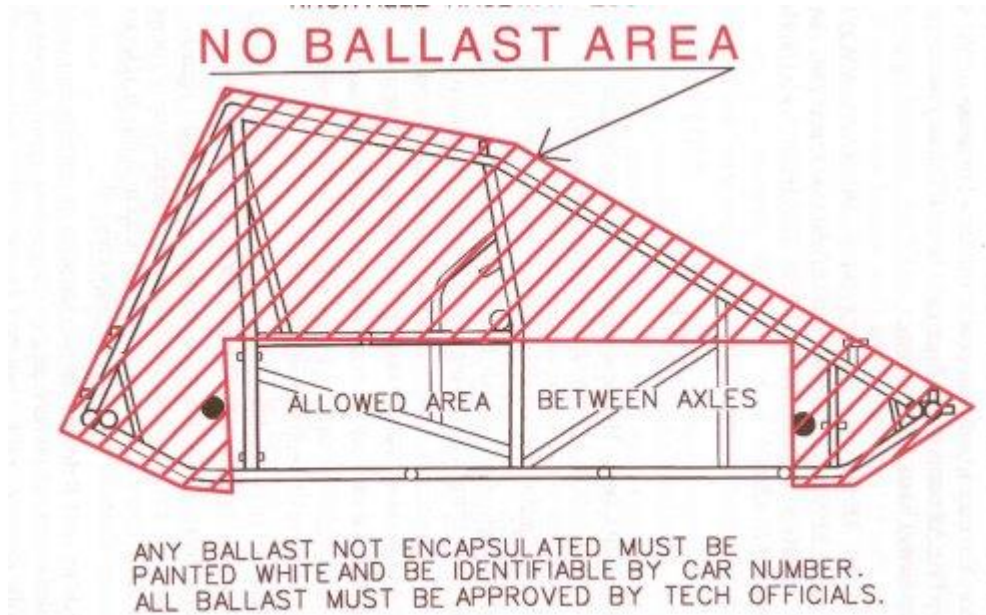
Absolutely no intake or exhaust port relocation, raising, enlargement or reshaping of any type. Valve angle and placement may not be altered in any way on the ASCS spec head or on any other head. ASCS checking fixtures to check the above specifications and dimensions will be used by sanctioned ASCS tracks.

Any internally repaired ASCS spec head must be re-certified by Brodix.

5. All spec heads must remain within 1 degree of the original manufacturing.
6. Penalty for altered spec head will be subject to suspension, for one calendar year. Forfeit all points and moneys won, during the race which the infraction was found, and subject to a \$500 fine that must be paid to PST before reinstatement.
7. Non-spec heads will be allowed but must have an unaltered ASCS intake-restricting gasket properly installed. The gasket must protrude a minimum of .150 inches into the roofline of both the injector port and the cylinder head port. Absolutely no modification to bolt holes or port sizing. These gaskets are to be installed right side up with logo on top. NO ALL Pro Heads
8. All oil pans must have inspection plug, pans without plug will be subject to pan removal at anytime.
9. No Turban driven, Turbo or blower will be allowed.
10. Only two valves and one spark plug per cylinder allowed. No big blocks.
11. No computer operated or controlled parts, such as fuel injections, fuel systems, crank trigger switches in the cockpit, chassis adjusting systems, shocks, etc.
12. No offset motors will be allowed, engine must be directly in front of driver. Driver must straddle drive-line.
13. Any car changing a motor after taking an official green flag will start at tail of its qualified group of "A" Main cars

Chassis Specs

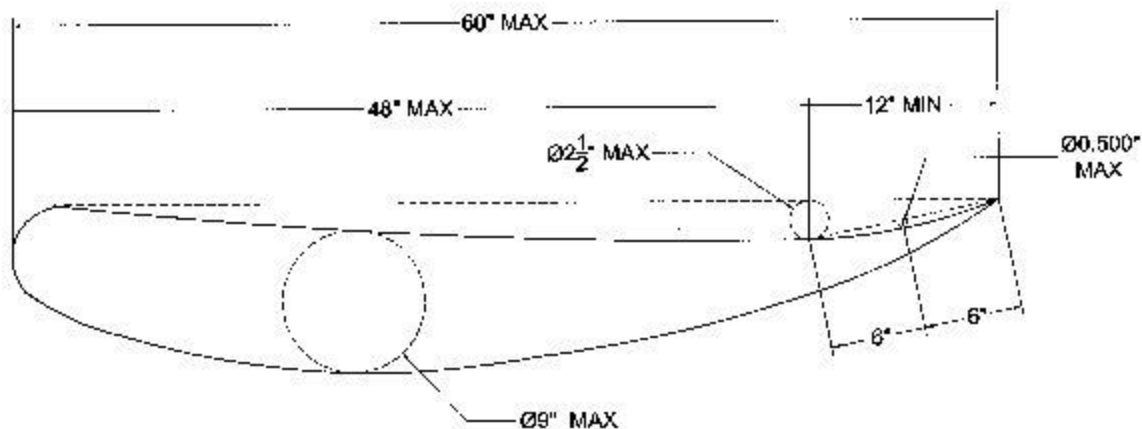
1. **Weight Rule:** Weight rule is 1475 lbs., including the driver, at the conclusion of the race. Any bolt-on weight must be painted white and the car number must be on the weight. Loss of any bolt-on weight during competition will disqualify the individual from that event. Bolt-on weight can only be added in the areas designated in the accompanying diagram. The weight must be securely attached and must remain in place during a race. All added weight must be within the chassis structure. Nerfbars and bumper may not have weight added onto or into. It must not be moved or removed during a red flag situation. We reserve the right to disqualify any individual whose weight mounting procedure does not meet our specifications. (see illustration)



2. Wings

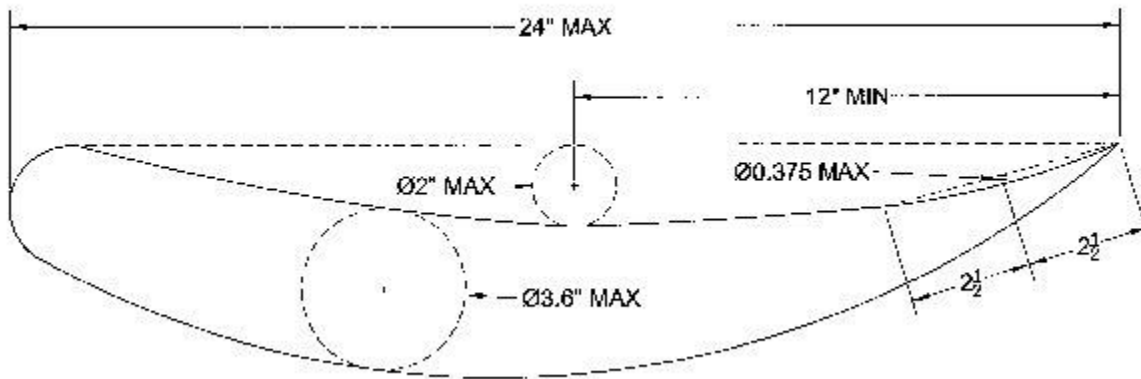
Top Wing: (see Illustration)

- a) Center Foil maximum size of 25 square feet with a maximum width of 60 inches with a one degree plus or minus tolerance.
- b) Center Foil shall be fully sheathed in aluminum. Vent holes are strictly prohibited.
- c) Wicker bills or Gurney lips are permitted on Center Foil. A maximum of two-inch wicker bill is allowed.
- d) Other than the slider mechanism, no moving parts allowed on or in foil structure.
- e) The 12-inch section located at the rear of the Center Foil must not have the belly/curl arc out of proportion with the rest of the Center Foil. The belly/curl arc must span the entire length of the Center Foil and appear to be a gradual arc with the deepest point no further back than 48 inches from the leading edge. As measured on a 12-inch straight edge, the belly at 6 inches from the rear of the Foil may not be deeper than $\frac{1}{2}$ inch. There is zero tolerance on this $\frac{1}{2}$ inch depth. It is suggested that the wing blue print specify $\frac{15}{32}$ -inch depth, so that if any deflection or movement of the wing occurs, the depth will not exceed the $\frac{1}{2}$ inch specification. (This $\frac{1}{2}$ inch measurement ensures that the belly/curl arc is gradual.)
- f) The belly/curl arc must start at the radius of the Center Foil's leading edge and shall not exceed a depth of $2\frac{1}{2}$ inches. Center Foil thickness cannot exceed 9 inches. Center Foil top surface from side to side must remain flat. Center Foil must be one-piece construction. No split or bi-wings will be permitted. Wings must be fabricated of metal alloys only. No fiberglass, carbon fiber or other similar material may be used in the basic framework of the wings. Top wing must not extend beyond outside of rear tires.
- g) Two stationary foils or rudders will be allowed to run the entire length of the underneath portion of the top wing. Maximum height proportions are 1 inch at the front and 3 inches at the rear. Nowhere shall the foil exceed 3 inches in height. The top wing can be cockpit/driver adjustable



*Front Wing: (see Illustration)

- a) Center Foil maximum size of 6 square feet with a maximum width of 36 inches with a one degree plus or minus tolerance.
- b) Center Foil shall be fully sheathed in aluminum. No vent holes allowed.
- c) A one (1) inch wicker bill or Gurney lip is permitted at the rear of the Center Foil.
- d) Maximum distance from the Center Foil front edge to the front edge of the front axle may not exceed 20 inches.
- e) The Center Foil front edge must remain at least 1 inch behind the front edge of the front bumper. Center Foil top surface from side to side must remain flat.
- f) Center Foil must be one piece. No split or bi-wings will be allowed.
- g) Wings must be fabricated of metal alloys only. No fiberglass, carbon fiber or other similar material may be used in the basic framework of the wings.
- h) The Front Wing must not extend beyond outside of front tires. The Front Wing may not be cockpit or driver adjustable while the car is stationary or in motion.
- i) No moving parts allowed on or in foil structure.
- j) The 5" section located at the rear of the front foil must not have a bell/curl arc that is out of proportion with the rest of the front foil. As measured on a 5-inch straight edge, the belly at 2 1/2 inches from the rear of the foil may not be deeper than 3/8 inch. There is zero tolerance on this 3/8-inch depth. It is suggested that the wing blue print specify 11/32-inch depth, so that if any deflection or movement of the wing occurs, the depth will not exceed the 3/8-inch specification (This 3/8 inch measurement ensures that the belly/curl arc is gradual).
- k) The belly/curl arc must span the entire length of the front foil and appear to be a gradual arc with the deepest point, no further back than 12 inches from the leading edge. The belly/curl arc must start at the front foil's leading edge and shall not exceed a depth of 2 inches. Top foil thickness cannot exceed 3.6 inches.
- l) No rudders or fins on Front Wings.



***Side Board Panels**

- a) All side board panels must be within an eight-degree plus or minus tolerance.
 - b) Side panels may not be supported by braces whose section is not horizontal. All braces or supports shall be oriented thin edge to face the air stream. Only rectangular, round or oval metal braces not exceeding 1 inch in width may be used.
 - c) No aero section side panel brace material allowed.
 - d) No brace or support shall resemble a wicker bill or a split wing.
 - e) Top Wing sideboards maximum size, 72 inches long and 30 inches tall. Panels must be of one-piece construction. Panels must be fabricated flat so as to have no turnouts or flaps made of more than 2 inches of material and can not project more than 1-1/4 inches from the flat portion of the side board at the front or rear of the panel and no more than 1-1/4 inches on the top or bottom of the side panel.
 - f) Front Wing side boards maximum size, 12 inches tall and 26 inches long with no more than one inch overhang from the center foil front edge to the side board front edge. Sideboards may have front, back, top and bottom turnouts of no more than 1/2 inch.
3. Any sprint chassis is allowed, but it must pass any test prescribed by the safety inspectors. The roll cage must be of a four-post design. No dirt champ cars. No elliptical (oval shaped) tubing used on or as part of the main frame structure. Minimum wheel-base of 83 inches, maximum wheel-base of 90 inches. No pieces may be added to the frame so as to resemble, imitate or be specifically designed to deflect, trap or form a wind break of any nature, except those used to cool/protect the motor and braking system. No roadster type chassis allowed, only sprint appearing type bodies, tails and hood will be allowed.
 4. Fuel cell securely mounted with bladder mandatory. Tank used for qualifying heats must remain for all events.
 5. No flammable liquids allowed in cooling systems.
 6. Bumpers and Nerf bars are mandatory and must be securely mounted. No weight is to be added to Bumpers or Nerf Bars. No aluminum frames, rear bumpers or Nerf bars. Aluminum front bumpers are allowed. Nerf bars must not be outside of tires. Nerf bars are to be secured with bolts, no quick disconnect type pins allowed.
 7. All drive lines must be broken in the coupler or rear slider, fully enclosed and contain no more than one U-joint or C-V joint. No torque arm drive lines allowed. A safety strap is strongly recommended.

9. Mufflers: Mandatory, (unless otherwise stated). Any muffler or inserts of at least 3 inches will be allowed as a muffler device. Loss of muffler will result in disqualification when mufflers are required. Schoenfeld part #112535 optional.
10. Headers: Must be a minimum of .045.
11. Steel, aluminum or titanium brake rotors only.
12. RaceCeiver Radios are mandatory; we reserve the right to penalize drivers that don't run a RaceCeiver. No two way radios will be allowed.
12. The maximum distance from the leading edge of the front bumper to the leading edge of the front torsion tube is 8 inches. The maximum distance from the leading edge of the front bumper to the leading edge of the front axle is 23 1/2 inches.
13. No hollow, tubular or drilled out bolts allowed.
14. The right side opening must be a minimum of 10 inches vertical at any point and 21 inches horizontal.
15. Body Panels are not to extend beyond the roll cage area of the chassis on any side, front, back, top or bottom area. As an exception the right side arm guard may extend from the outer most tubing of the chassis by no more than 7 inches.

Tires and Wheels

1. Right Rear Hoosier Racing Tire, 105x18.0-15 HTC plated (or) 105x18.0-15 D25 or RD20. Left Rear Hoosier Racing Tire, 96-31209, 94-31189, 94-31191, 92-31169, 90-31159 x14.0-15 RD12. Front Tires must be Hoosier Racing Tires 31131 or 31132 D-12, D-15, or D-20. No tire preps or tire softeners allowed. NOTE: Due to the lack of availability and cost, the Hoosier 31239 98.0/14.0W-15 or Hoosier 31227 96.0/14.0W-15 RD12 will no longer be able to be used.
2. Beadlocks recommended on all wheels.
3. Wheel covers: It is highly recommended that wheel covers have a minimum of 5 mounting points. However, both 5 and 3 mounting point wheel covers will be allowed for competition under the following conditions: Wheel covers having a minimum of 5 attachment points may use Steel Dzus fasteners. Wheel covers having only 3 attachment points must be bolted-on at all 3 points utilizing a minimum 5/16", flanged steel or titanium bolt and an approved fastening (nut assembly) system. Optional fastening systems that are equal to or superior to the above-approved system will be reviewed for use at the sole discretion of PST Technical Officials.
4. Maximum right wheel width is 18-inches, maximum left rear wheel width is 15 inches.
5. Left Front is the only tire you can run flat.

Fuel

1. Methanol or Ethanol only, NO NITRO or additives allowed. Fuel subject to be checked anytime by *PST* officials. NOTE: Fuel samples may be taken for analysis and prize money may be withheld until results are known. (Penalty for fuel infraction will result in forfeiture of all points and moneys won during event detected, and a fine up to \$1000 for first infraction. 2nd infraction subject to suspension up to 1 calendar year.)
2. No fuel additives.

Safety

1. All drivers are required to wear SNELL approved helmet, a fire retarding uniform, protective gloves and arm restraints during competition. (SA2010 minimum, SA2015 recommended no DOT or Motorcycle Helmets will be allowed)
2. All cars must be equipped with adequate seat belts, shoulder harness and crotch strap. *PST* strongly recommends a six point hookup with 3 inch belts. Safety belts will be usable for 3 years from the date of manufacture.
3. *PST* strongly recommends the use of a Head and Neck Restraint system.

Protest

1. Protest will be taken only from a driver or car owner and then only if the protest is in writing and accompanied by the appropriate protest fee in cash to *PST* officials.
In the event the protested car is found to be legal, the protest fee shall be given to the owner of the car protested minus a fee that shall be paid to the inspector.
2. All protest must be filed within ten (10) minutes after the completion of the last race of the evening. All protest shall be decided upon by *PST Race Director* or his representative. Any appeal of official decision must be filed in writing within ten (10) minutes of notification with *PST* and forwarded to the *PST* Officials whose decision shall be final.
3. No protests will be accepted on judgment decisions.
4. In the event a car is protested and found to be illegal by the inspector, the driver and car protested shall have all points and money forfeited that were won during the particular race program in question and may be suspended.

Protest Fees (Figures In Parenthesis Are Filing Fees)

1. Motor tear down (heads off) and cylinders inspected: \$800 (\$100).
2. P & G fuel test \$800 (\$100).
3. Other technical protest: \$200 (\$100).

SPORTSMANSHIP –

Sprint car racing is a very emotional sport. As such, good sportsmanship is the key element of any competitive racing program. This must include respect for all participants – drivers, owners, pit crews, and officials. For our part we will make every effort to be consistent with our rules regardless of whom or what is involved. We will treat all participants with respect and expect similar treatment in return. A racer's pit area is his castle – therefore please stay out of other racer's pit areas, especially after an incident where you have been involved with that racer. Drivers – remember that you are responsible for the actions of your crews. Any offending parties will be fined appropriately and disciplinary actions will be initiated as deemed necessary. Any driver or team member who initiates and creates a physical altercation with any other individual or team will be fined a minimum of \$250 up to a maximum of \$1000 and indefinite suspension.

Rain Outs

In the event a sanctioned race is rained out prior to the completing of all races and rescheduled for a later date, the entry fee shall be rain-checked for those who have already paid. At the rescheduled race, all races shall be rerun and all drivers will redraw for starting positions. In the event no races have been run and the event is not rescheduled, entry fees and pit fees shall be refunded. One lap over half-way through an A Feature event shall constitute a complete race in the event a race is stopped due to bad weather. If a race is stopped by use of the red flag and is ruled completed, the finishing positions will be paid according to the last officially scored lap by the leader previous to the red flag. Any car or cars red flagged will be put to the rear of the line-up of official finish.